



MANUFACTURER OF PLASTIC PRODUCTS

PERINT.RU/EN



RUSSIAN MANUFACTURER

PERINT is one of the largest Russian companies producing plastic packaging for the **food industry**, **medical supplies**, **horticulture supplies** and various **custom products**.

The company supplies its products all over the country and focused on the use of domestic raw materials in production.

Our factory is located in the Leningrad region near St. Petersburg, Russia.





PERINT TODAY

37
YEARS
OF EXPERIENCE

PERINT
was founded in 1987

>1000
CLIENTS COMPANIES

from Russia, Europe, Israel,
Canada and the CIS countries
have purchased our
packaging during the entire
existence of PERINT

100 000 M²
GROUND AREA

30 000 M²
of production area

5 million
PRODUCTS PER DAY

The number of products that
the company produces per day
in 2024, 24/7

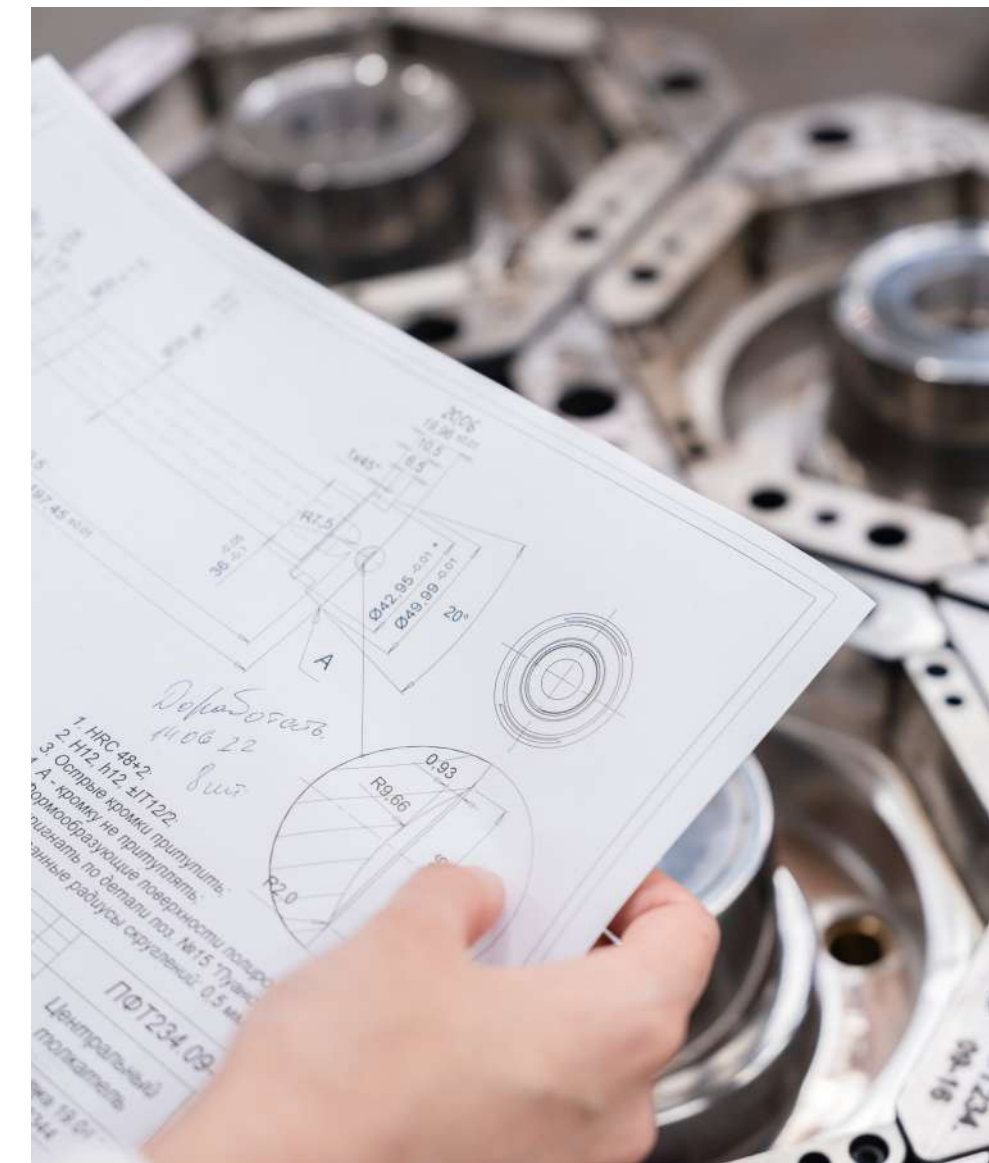
FIELDS



PACKAGING



MEDICINE



SUBCONTRACTING

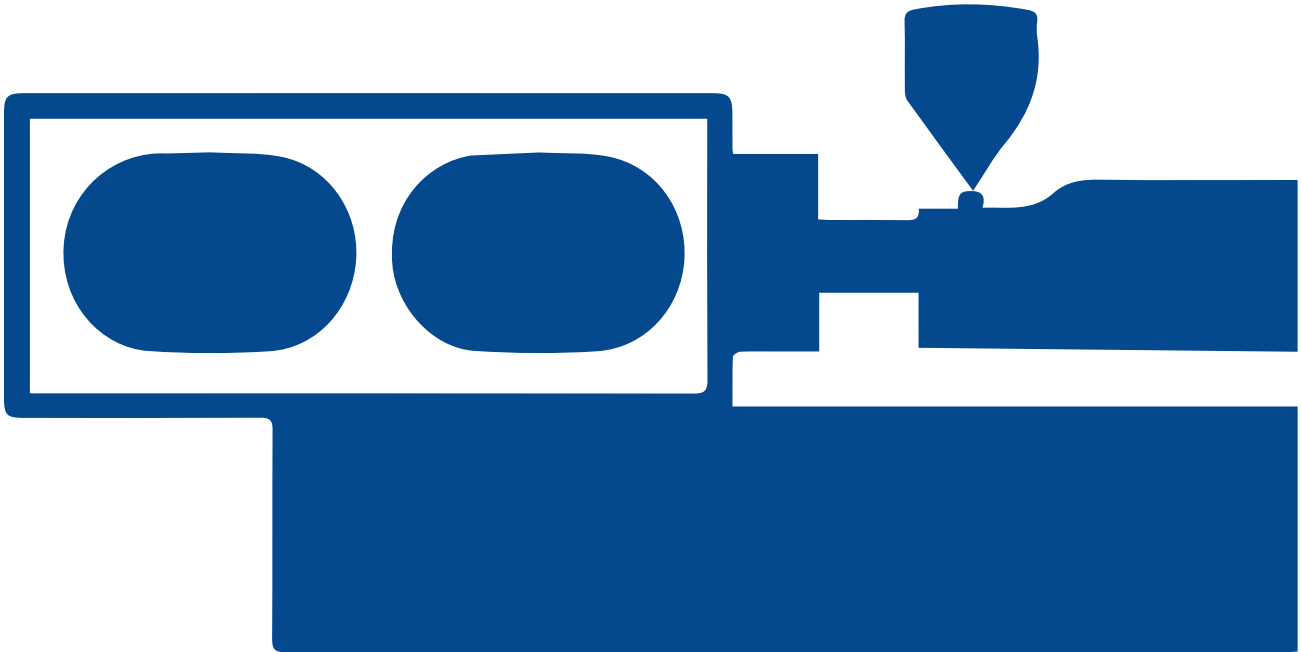


HORTICULTURE

OUR PRODUCTION

35 MACHINES

Located in our full-cycle tool production



> 100 INJECTION MOLDING MACHINES

PERINT uses the equipment of world leaders in its production

85 ROBOTS

Our company is actively introducing robotic lines into production





OUR OWN **TOOL SHOP** AND MOLD PRODUCTION

ONE OF THE BEST IN RUSSIA AND CIS

>30

The number of molds that PERINT independently manufactures in a year

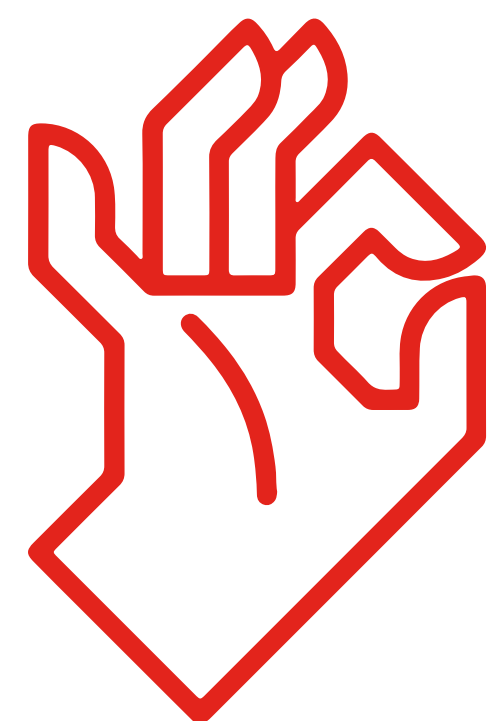
200

the number of customer molds that are in our production right now

37 YEARS

experience in the contract casting market

FROM DESIGNING TO MANUFACTURING MOLD PARTS



Serious competitive advantage — we can carry out fast and qualified repairs of our own molds at the expense of a vast base of tools for metalworking.



QUALITY

The safety of **food products** management system is certified for compliance with the requirements of the standard FSSC 22000

The quality management system of **medical devices** is certified for compliance with the requirements of the standard GOST ISO 13485



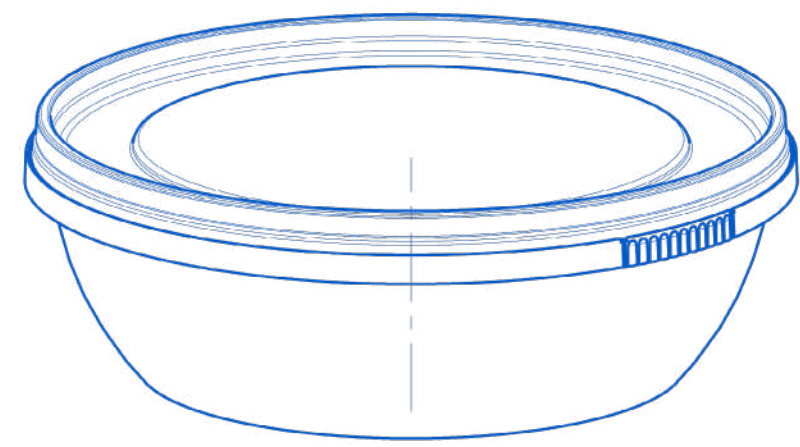


MORE THAN **100**
TYPES
OF PACKAGING

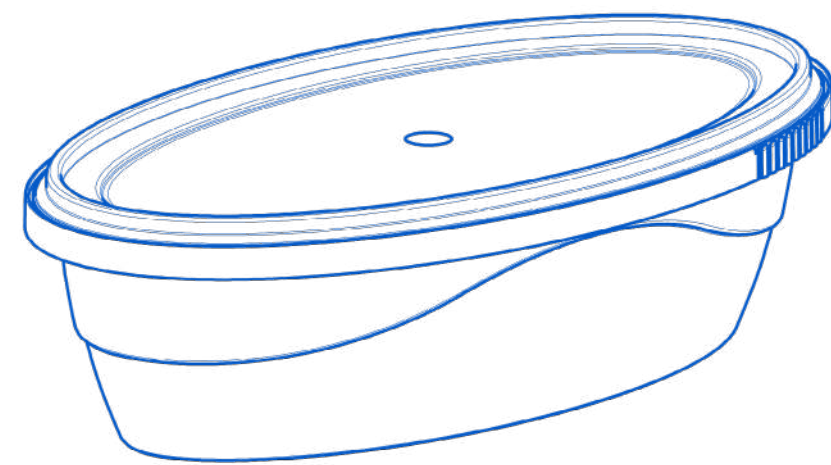
Every day, millions of people pick up food in our plastic containers, glasses and buckets.

PACKAGING

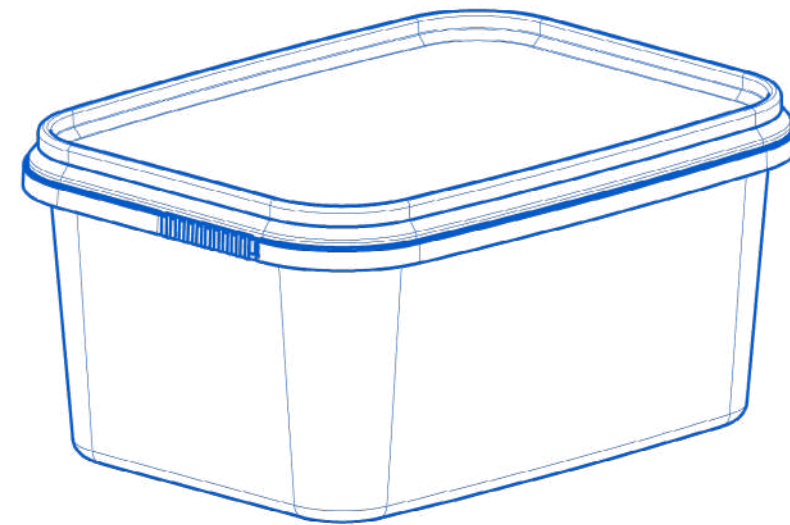
Scan to see
everything



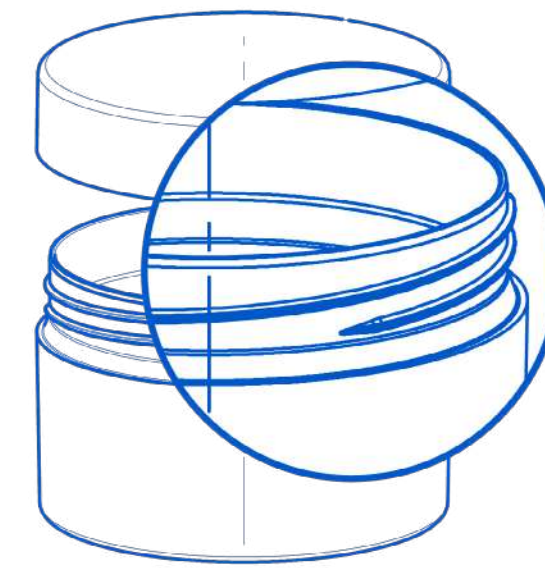
ROUND



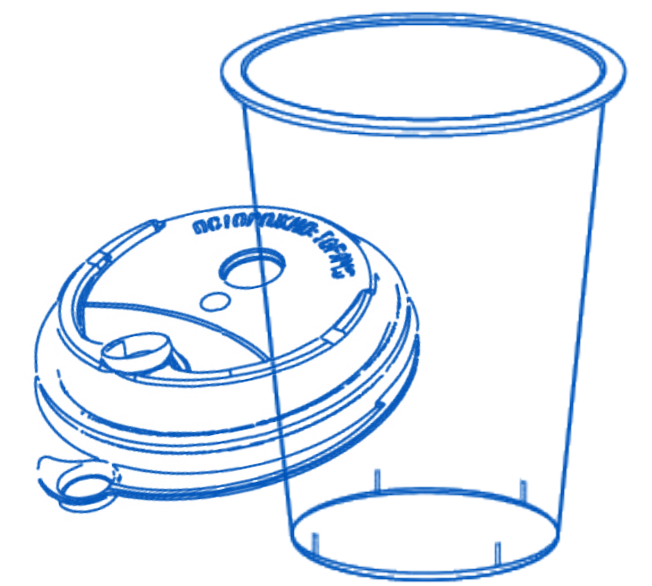
OVAL



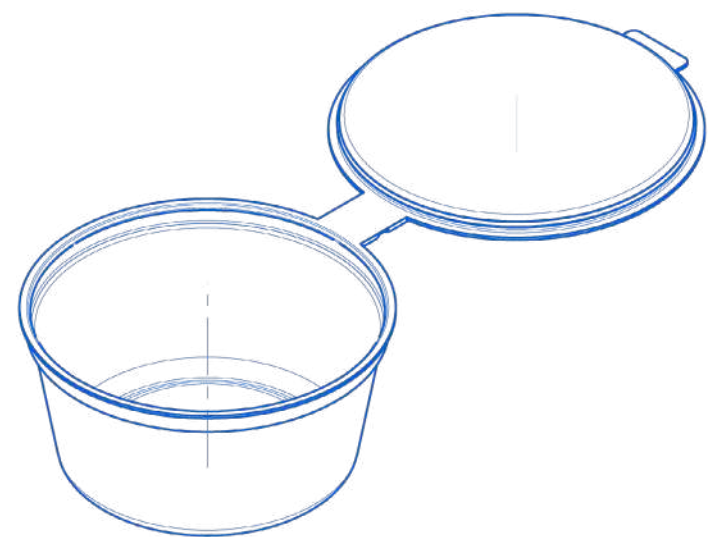
RECTANGULAR



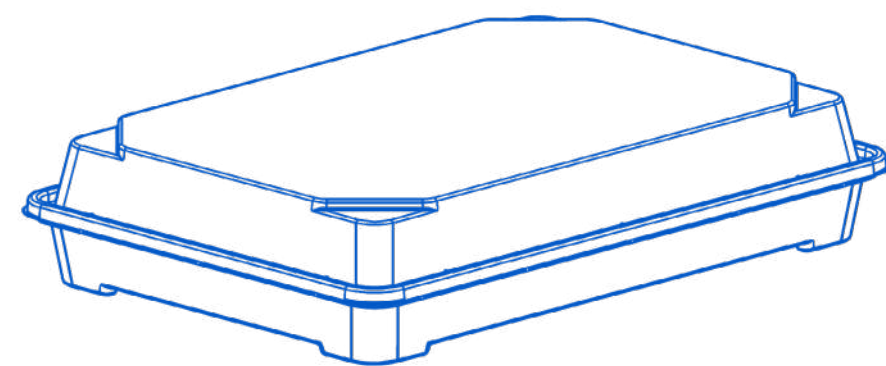
SCREW CAP JARS



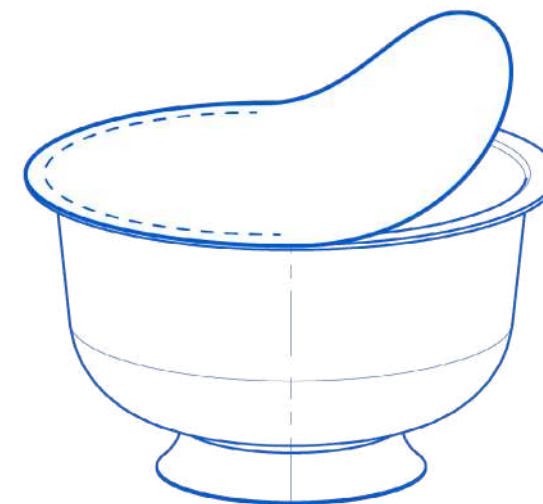
CUPS WITH LIDS



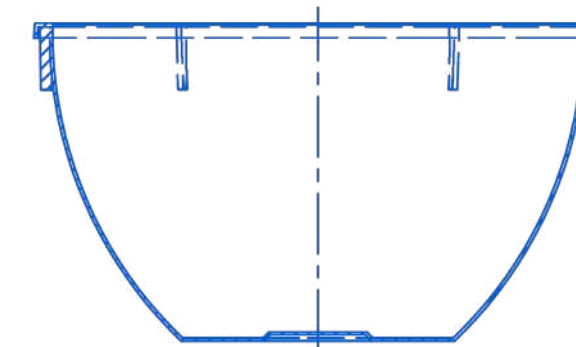
SAUCE CUPS



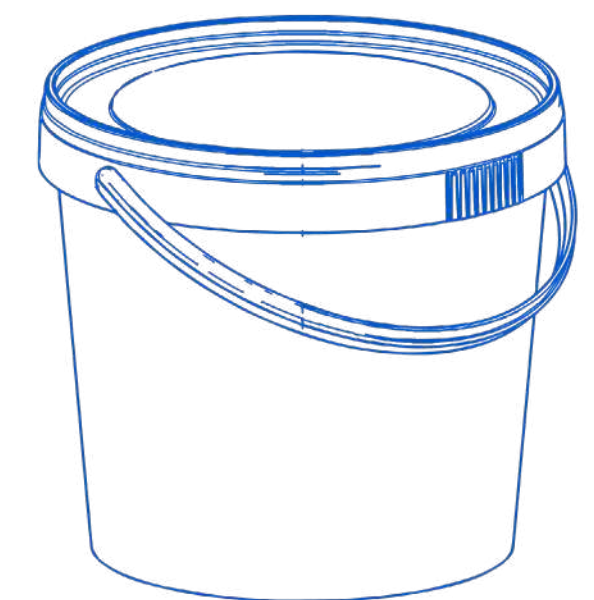
BOXES



HOT SEALABLE



BOWLS



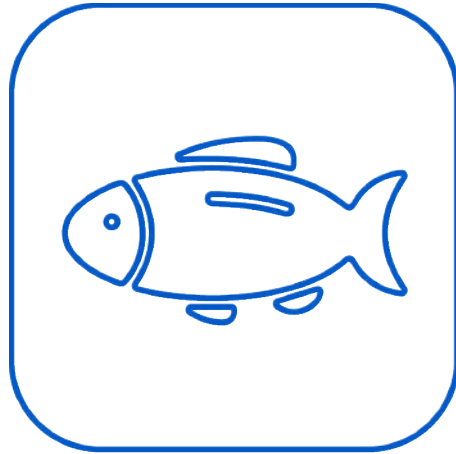
BUCKETS

INDUSTRIES OF APPLICATION

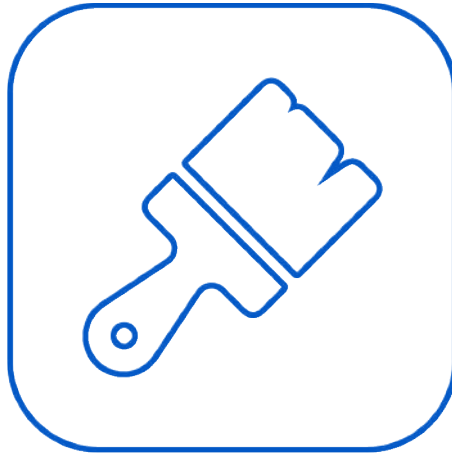
PACKAGING SOLUTIONS



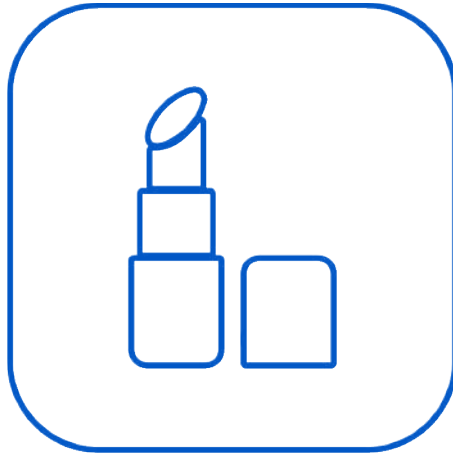
HoReCa



FISH PROCESSING



LACQUERS



COSMETICS



FATS & OILS



GASTRONOMY



DAIRY
PRODUCTS



PET FOOD



FASTENERS



CONFECTIONERY



FISHING
EQUIPMENT



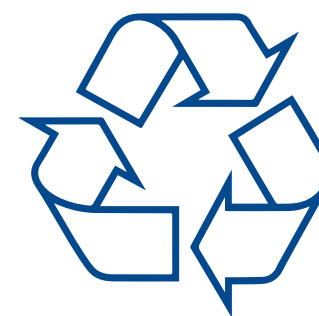
HOUSEHOLD
CHEMICALS



MATERIAL: POLYPROPYLENE

ALL PERINT PLASTIC PACKAGING
IS MADE OF POLYPROPYLENE

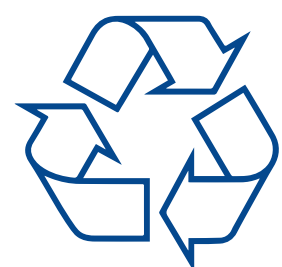
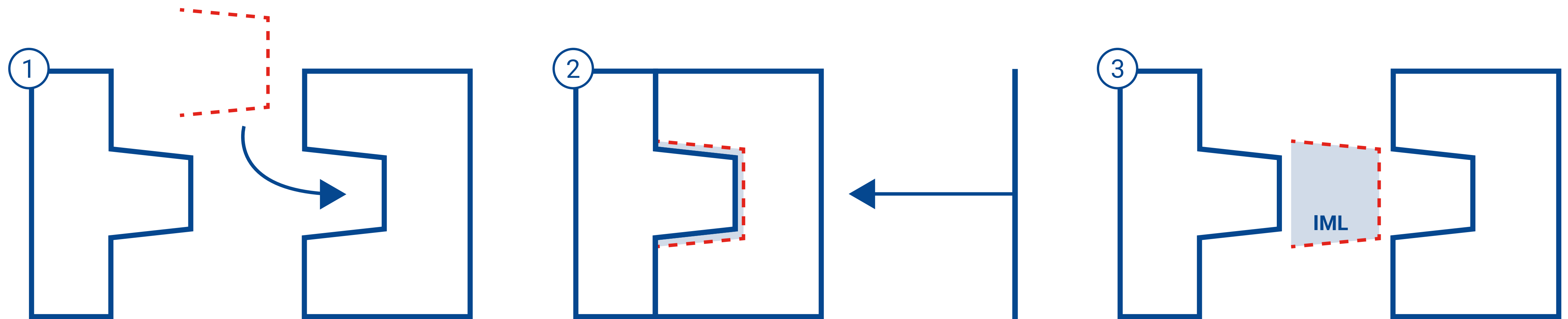
- Polypropylene is relatively safe for human health
- Resistant to fats and alcohols
- Suitable for hot dishes up to +70°C
- Suitable for freezing. It can withstand transportation at -25°C
- Suitable for heating in a microwave oven



POLYPROPYLENE IS A TYPE OF PLASTIC
THAT CAN BE RECYCLED AND REUSED.

IML TECHNOLOGY

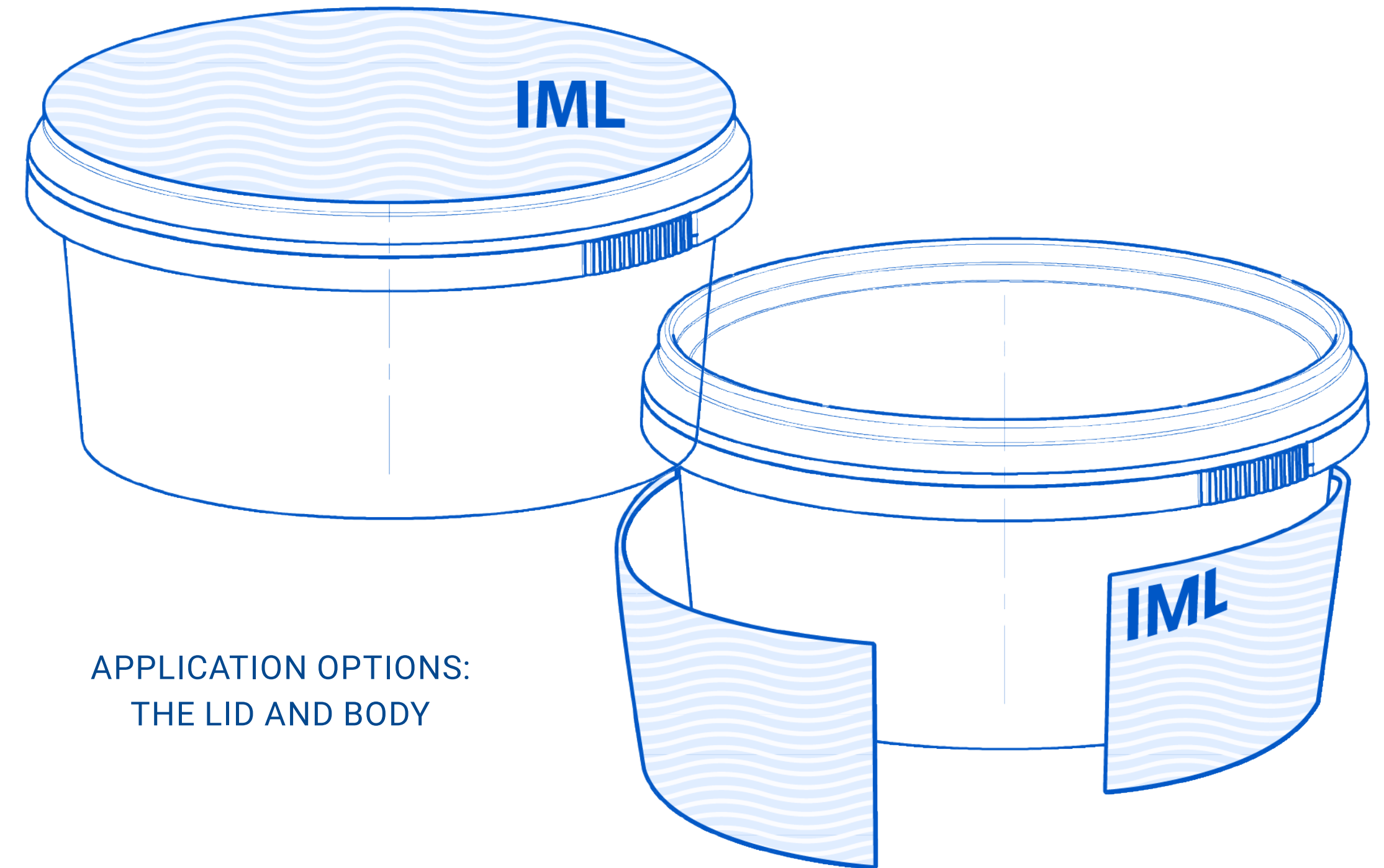
IML (In-Mold Labeling) is a technology for **melting a label into the walls of a container** at the stage of its molding in an injection mold.



IML label is an eco-friendly label. It is made of polypropylene, has no extraneous additives and glue. The label does not need to be separated from the container for recycling.

IML LABELING

IS THE MOST ADVANCED METHOD FOR DECORATING RIGID PLASTIC PACKAGING.



APPLICATION OPTIONS:
THE LID AND BODY

- Elegant attractive look
- Resistant to moisture, grease and temperature
- Resistance to abrasion, separation from the container
- Save time: packaging and labeling at the same time
- 100% protection of products from counterfeiting



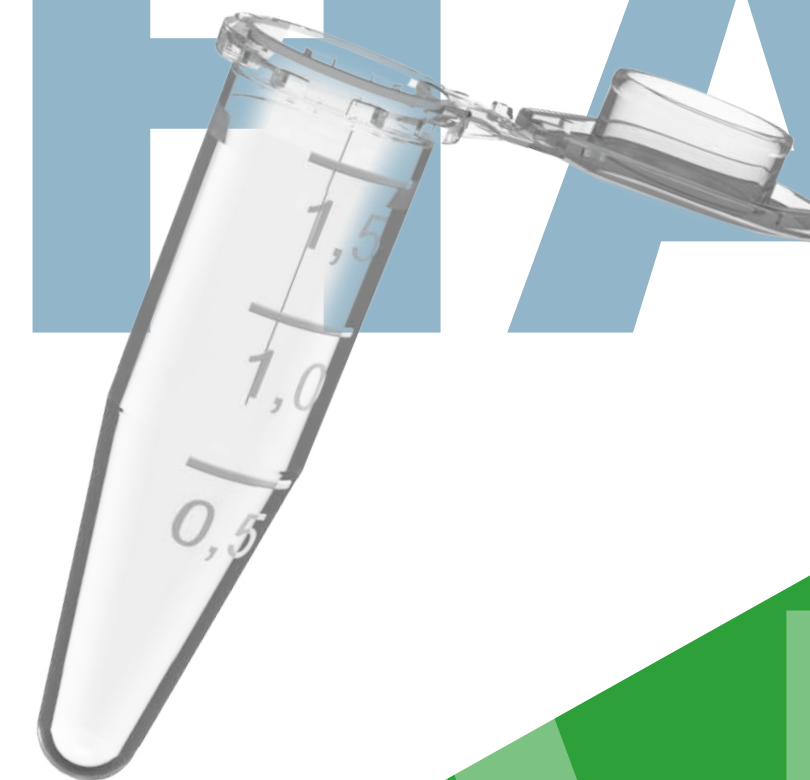
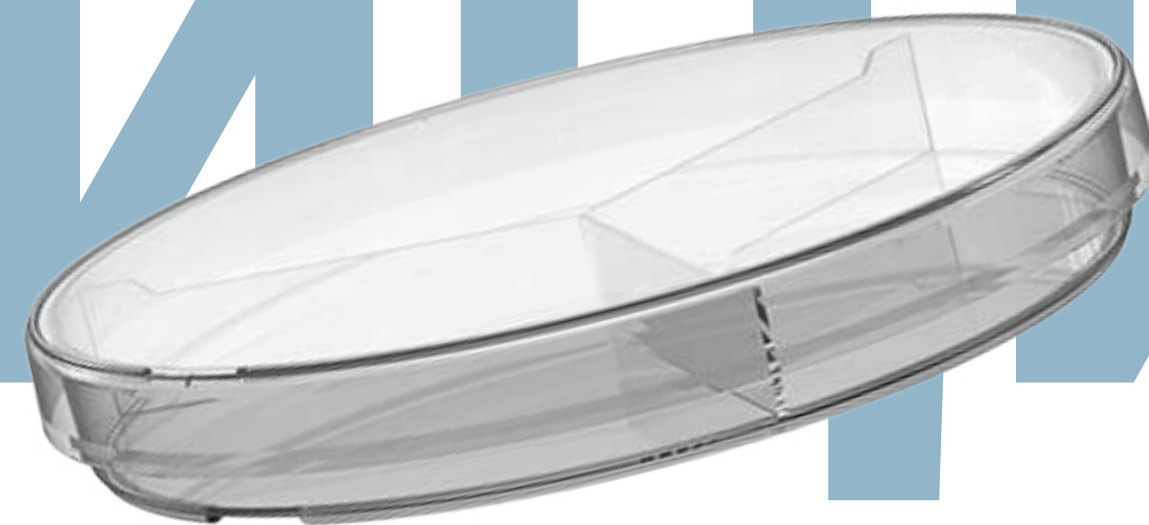
CONTRACT MOLDING

TWO TYPES OF CONTRACT MANUFACTURING:

MOLDING ON THE CUSTOMER'S TOOLING

PERFORMANCE OF A FULL CYCLE
OF PRODUCT MANUFACTURING

MEDICINE



In 2010, **PERINT** began production of medical products: containers for tests and laboratory utensils was released.

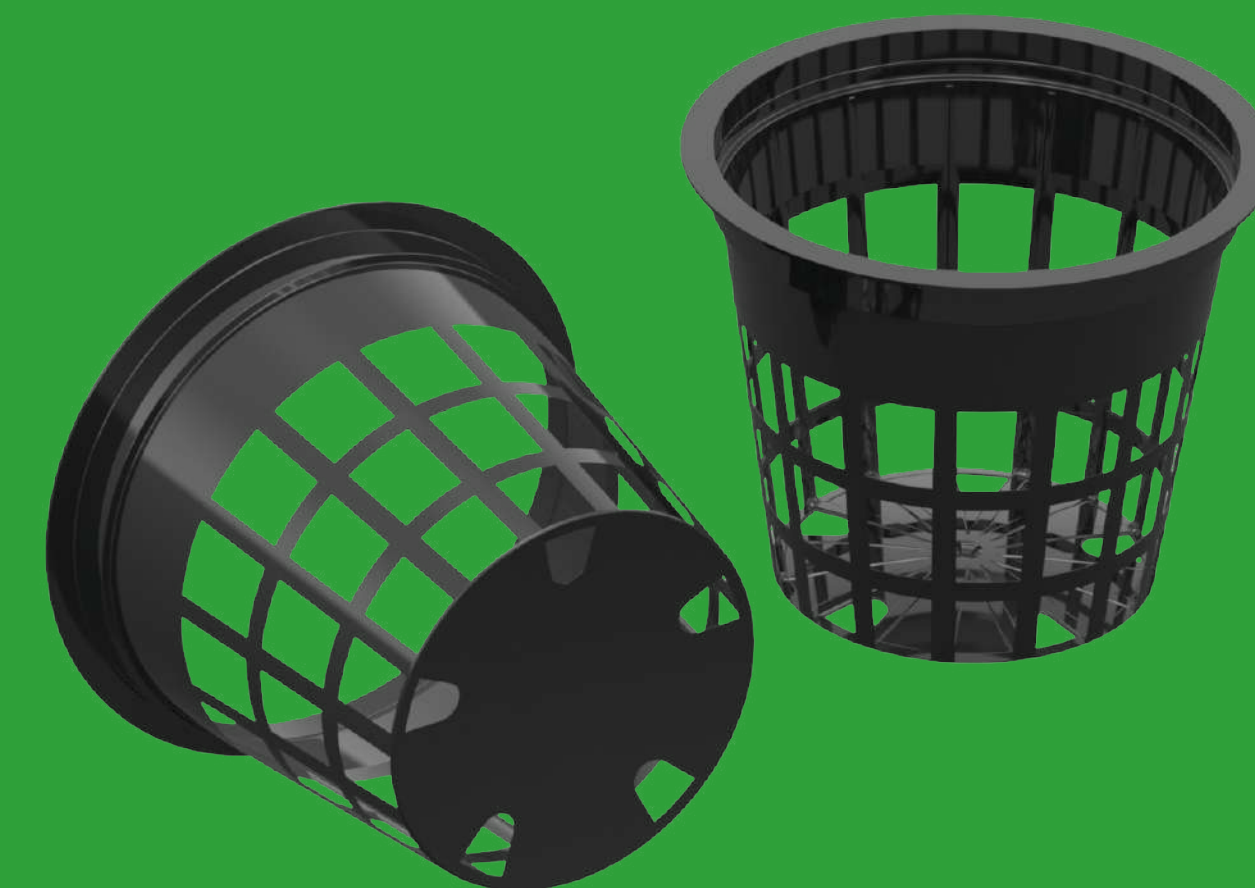
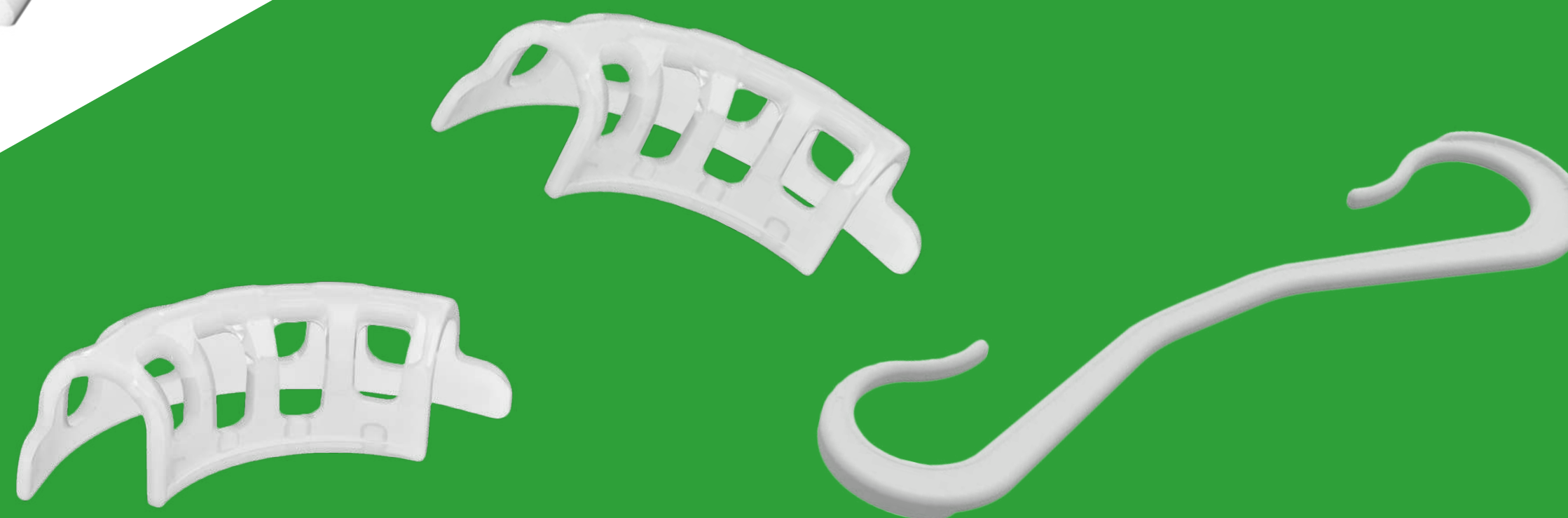
Currently, these consumables are manufactured in the amount of 10-20 million per month.



HORTICULTURE

Nowdays **PERINT** took over production of plastic products for the agriculture.

We already produce pots for hydroponic, truss supports and crates.



HAVE SOME QUESTIONS?

CONTACT US



perint@perint.ru



+7 (812) 779-19-98



188688, Leningrad region,
Vsevolzhsk municipal district,
Zanevskoe urban settlement,
industrial and warehouse zone "Sorzhha-Staraya",
1st passage, site No. 15/16

