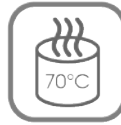


Hot sealing 160/96 dessert bowl



Main parameters

Volume	160 ml
Lid diameter	96 mm
Height	54 mm

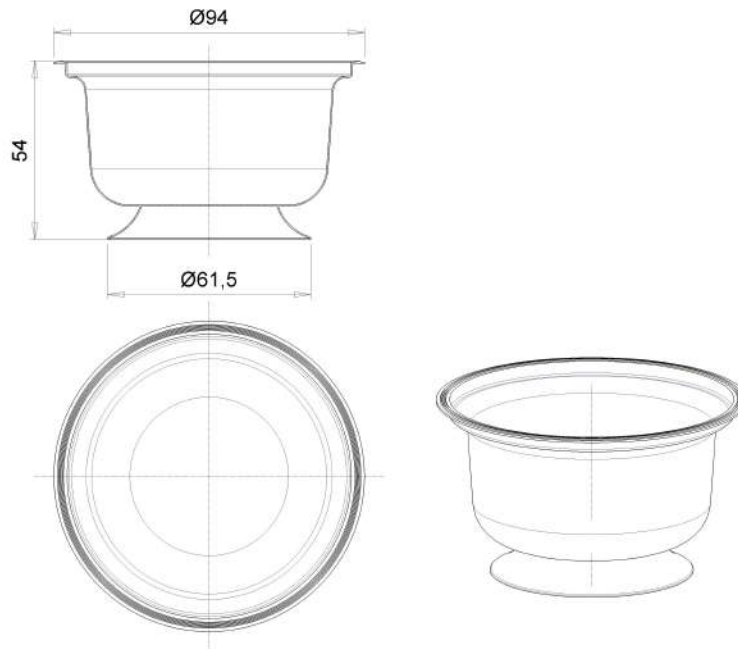


Can be used for automated lines
 Compact one-to-one stacking
 Suitable for microwave use



Logistics info

	Body	Lid	Set*
Pieces in a box (pcs.)	700	1400	1400
Size of boxes (mm.)	540x365x435	600x400x275	-
Weight of a box (kg.)	6,06	7,98	20,1
Volume (m ³)	0,101	0,078	0,28
Number of boxes (pcs.)	2	1	3
Number in pallet (pcs.)	11200	39200	-
Pallet weight (kg.)	118,5	244,9	-
Pallet height (m.)	1,89	2,08	-



Joint stock venture "Perint",
 Russia, 192102, Saint-Petersburg, Fuchika str. 12/2
 Phone./fax (812)490-18-81, fax (812)490-18-82
 e-mail: perint@perint.ru
www.perint.ru

